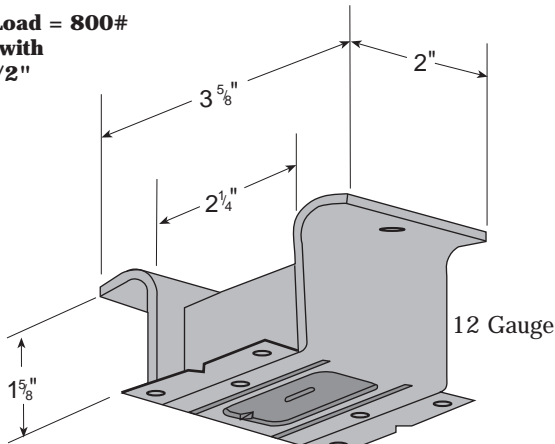


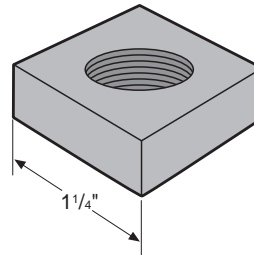
50#/Cpc

Allowable Load = 800#
when used with
FS-7025-1/2"
or Larger



FS-7000
SPOT CONCRETE INSERT

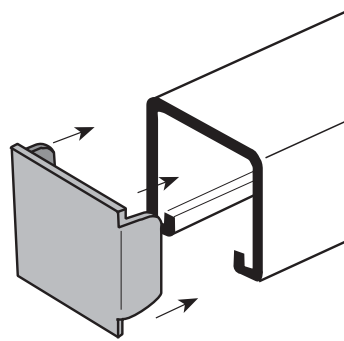
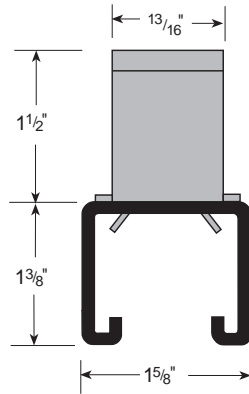
| Cat. No. | Tapped Size | #/Cpc |
|--------------|-------------|-------|
| FS-7025-1/4" | 1/4" -20 | 11# |
| FS-7025-3/8" | 3/8" -16 | 15# |
| FS-7025-1/2" | 1/2" -13 | 19# |
| FS-7025-5/8" | 5/8" -11 | 18# |
| FS-7025-3/4" | 3/4" -10 | 17# |
| FS-7025-7/8" | 7/8" -9 | 15# |



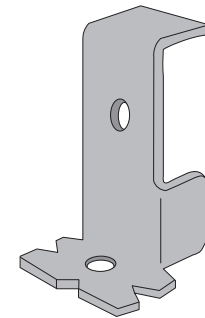
FS-7025 Series
INSERT SQUARE NUT

| P/N | Allowable Load |
|------------|----------------|
| FS-7350 | 800# |
| FS-7351 | 1000# |
| FS-7352 | 1200# |
| FS-7353 | 2000# |
| FS-7354/70 | 2000#/FT |

FS-7370 Series



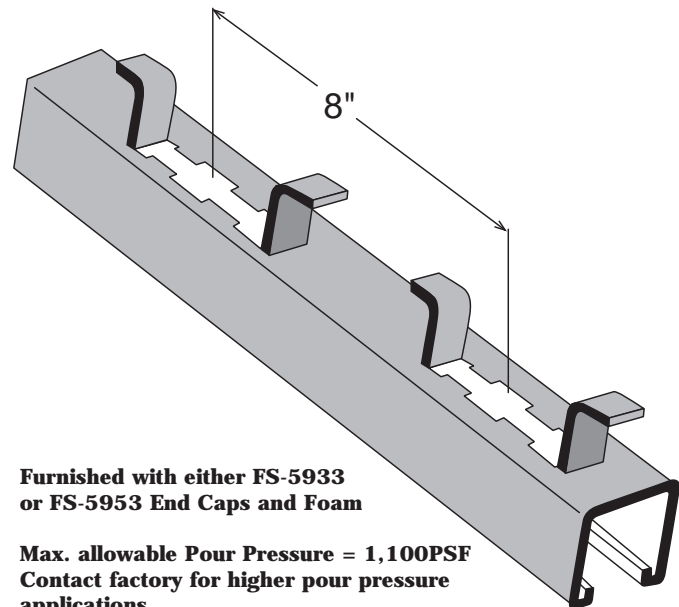
FS-5933



FS-5953

| Cat. No. | Insert Length | End Cap Furnished | Weight Cpcs |
|----------|---------------|-------------------|-------------|
| FS-7350 | 4" | FS-5953 | 100# |
| FS-7351 | 6" | FS-5953 | 130# |
| FS-7352 | 8" | FS-5953 | 160# |
| FS-7353 | 12" | FS-5953 | 220# |
| FS-7354 | 16" | FS-5933 | 250# |
| FS-7355 | 20" | FS-5933 | 310# |
| FS-7356 | 24" | FS-5933 | 370# |
| FS-7357 | 32" | FS-5933 | 490# |
| FS-7357A | 36" | FS-5933 | 550# |
| FS-7358 | 40" | FS-5933 | 610# |
| FS-7359 | 4' | FS-5933 | 730# |
| FS-7360 | 5' | FS-5933 | 910# |
| FS-7361 | 6' | FS-5933 | 1090# |
| FS-7362 | 7' | FS-5933 | 1270# |
| FS-7363 | 8' | FS-5933 | 1450# |
| FS-7364 | 9' | FS-5933 | 1630# |
| FS-7365 | 10' | FS-5933 | 1810# |
| FS-7366 | 12' | FS-5933 | 2170# |
| FS-7367 | 14' | FS-5933 | 2530# |
| FS-7368 | 16' | FS-5933 | 2890# |
| FS-7369 | 18' | FS-5933 | 3250# |
| FS-7370 | 20' | FS-5933 | 3610# |

1-5/8" x 1-3/8" x 12 ga



Furnished with either FS-5933
or FS-5953 End Caps and Foam

Max. allowable Pour Pressure = 1,100PSF
Contact factory for higher pour pressure
applications.

FS-7370 Series