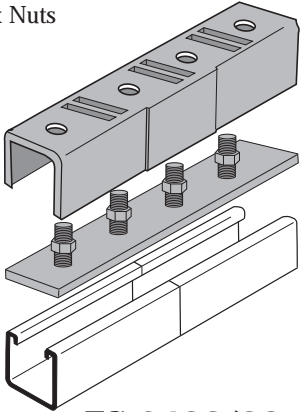


HANGERS & ELECTRICAL ACCESSORIES

Includes (4) 1/4" -20
Hex Nuts

134#/Cpc



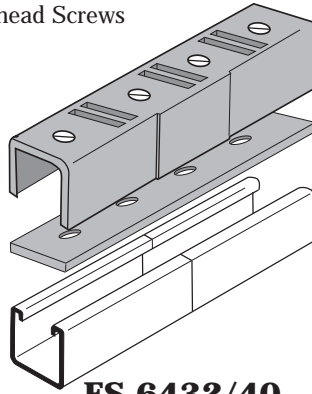
FS-6432/39

INCLUDES

- FS-6432-SPLICE CLEVIS
- FS-6439 STUD PLATE

Includes (4) 1/4" -20
Flathead Screws

132#/Cpc

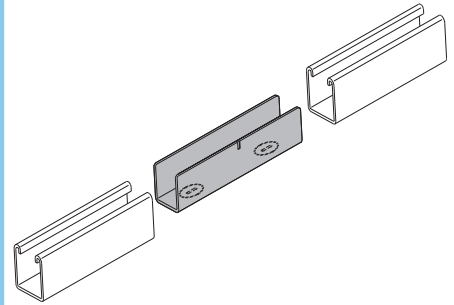


FS-6432/40

INCLUDES

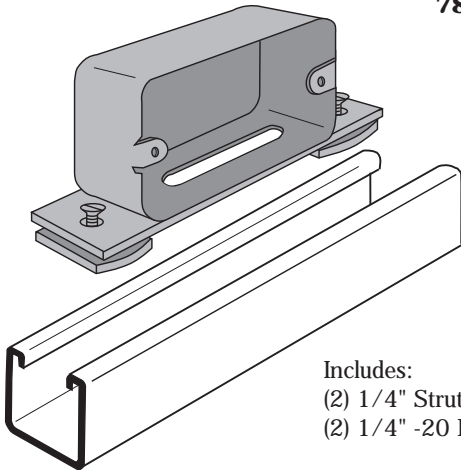
- FS-6432-SPLICE CLEVIS
- 1/4" -20FHMS
- FS-6440 TAPPED PLATE

For FS-200 Channel



FS-6441

IN-LINE STRUT JOINER

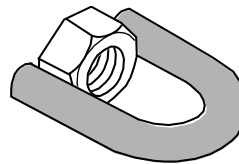


78#/Cpc

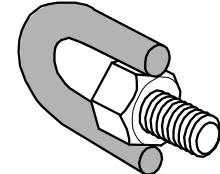
**FS-6445
OUTLET BOX**

Includes:
(2) 1/4" Strut Nuts
(2) 1/4" -20 FHMS

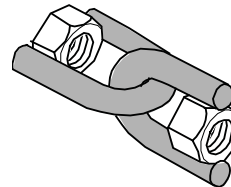
SWIVEL HANGERS



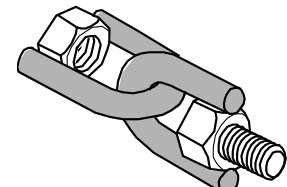
**FS-6471-3/8
FS-6471-1/2**



**FS-6481-3/8
FS-6481-1/2**



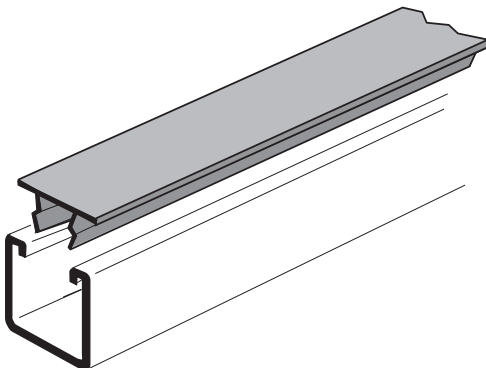
**FS-6472-3/8
FS-6472-1/2**



**FS-6482-3/8
FS-6482-1/2**

19 Ga. (.040) Steel and Aluminum
Finish: Plain / Green / Galvanized / Aluminum

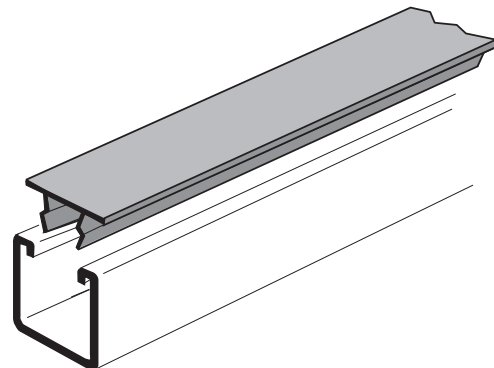
47#/Cft



**FS-6500
CLOSURE STRIP (ELECTRICAL COVER)
STEEL OR ALUMINUM**

Plastic Available In:
Black / White / Green / Gray

8#/Cft



**FS-6518
CLOSURE STRIP
PLASTIC**