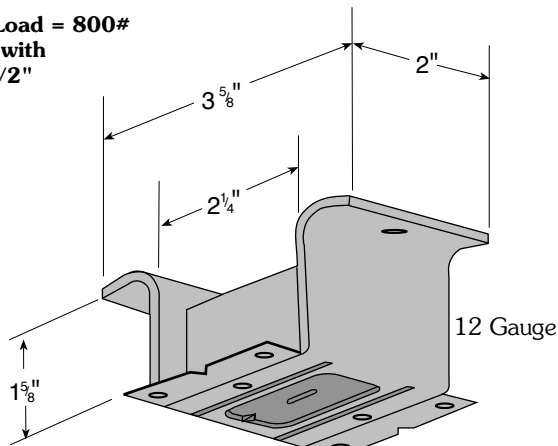


CONCRETE INSERTS

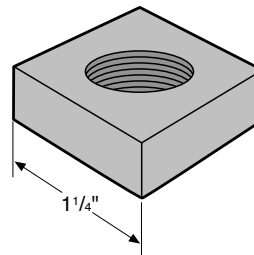
50#/Cpc

Allowable Load = 800#
when used with
FS-7025-1/2"
or Larger



FS-7000
SPOT CONCRETE INSERT

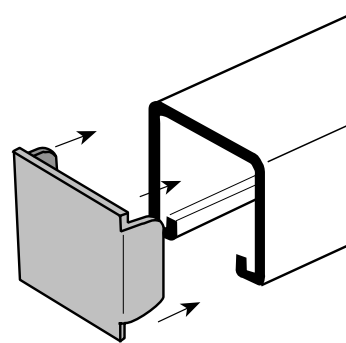
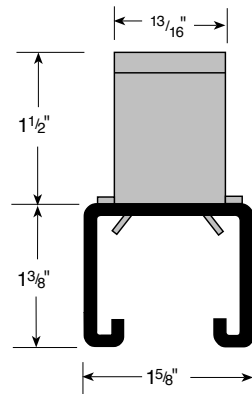
Cat. No.	Tapped Size	#/Cpc
FS-7025-1/4"	1/4" -20	11#
FS-7025-3/8"	3/8" -16	15#
FS-7025-1/2"	1/2" -13	19#
FS-7025-5/8"	5/8" -11	18#
FS-7025-3/4"	3/4" -10	17#
FS-7025-7/8"	7/8" -9	15#



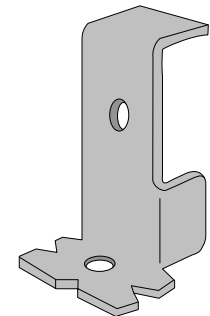
FS-7025 Series
INSERT SQUARE NUT

P/N	Allowable Load
FS-7350	800#
FS-7351	1000#
FS-7352	1200#
FS-7353	2000#
FS-7354/70	2000#/FT

FS-7370 Series



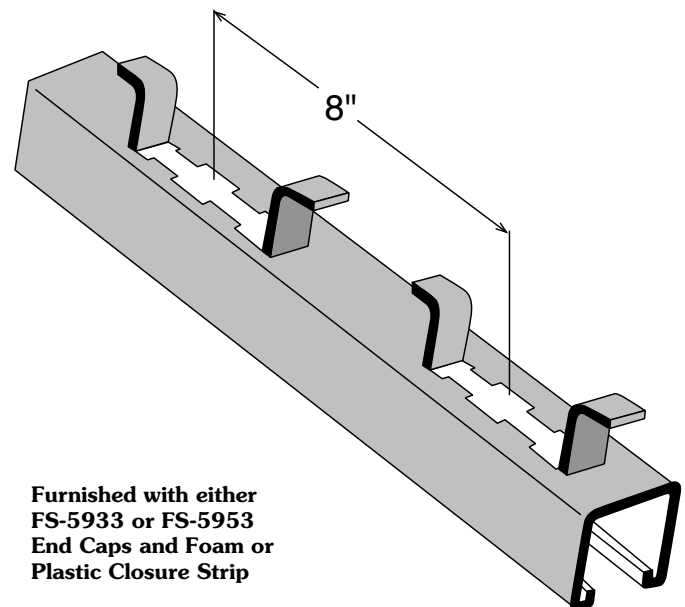
FS-5933



FS-5953

Cat. No.	Insert Length	End Cap Furnished	Weight Cpcs
FS-7350	4"	FS-5953	100#
FS-7351	6"	FS-5953	130#
FS-7352	8"	FS-5953	160#
FS-7353	12"	FS-5953	220#
FS-7354	16"	FS-5933	250#
FS-7355	20"	FS-5933	310#
FS-7356	24"	FS-5933	370#
FS-7357	32"	FS-5933	490#
FS-7357A	36"	FS-5933	550#
FS-7358	40"	FS-5933	610#
FS-7359	4'	FS-5933	730#
FS-7360	5'	FS-5933	910#
FS-7361	6'	FS-5933	1090#
FS-7362	7'	FS-5933	1270#
FS-7363	8'	FS-5933	1450#
FS-7364	9'	FS-5933	1630#
FS-7365	10'	FS-5933	1810#
FS-7366	12'	FS-5933	2170#
FS-7367	14'	FS-5933	2530#
FS-7368	16'	FS-5933	2890#
FS-7369	18'	FS-5933	3250#
FS-7370	20'	FS-5933	3610#

1-5/8" x 1-3/8" x 12 ga



Furnished with either
FS-5933 or FS-5953
End Caps and Foam or
Plastic Closure Strip

FS-7370 Series